



Glass

6mm toughened outer / 16mm argon filled cavity / 6mm toughened inner with low e coating
Available on request Low Iron Glass, Low Maintenance Coatings, Solar Control Coatings, IQ Heated Glass, Privacy Glass, Electro Chromic Glass, Coloured/Decorative Interlayer (available on small sizes), Acoustic Interlayer (available on small sizes), Anti Reflective Glass
Glass thickness 21-37mm

Opening Configurations

Available as

- Single/double vents
- Side Hung Windows, inward/outward opening
- Bottom Hung Windows
- Projected Top Hung Windows
- Pivoting Windows
- Side Hung Door
- Double Opening Side Hung Door

Ironmongery

Handles a range of handle options available. See page 5

Frame

Cold formed hot dip galvanized steel connected with high density cast polyurethane isolator
Metal Galvanised Steel PPC any RAL colour
Surrounding Vent + Frame Profile 57.5mm
Door Base Frame 46.5mm
Fixed Frame Profile 32mm
Frame Depth 55.5mm
Glazing Beads Aluminium / Galvanised Steel / Stainless Steel, available in a range of designs

Maximum Size

See table, page 2

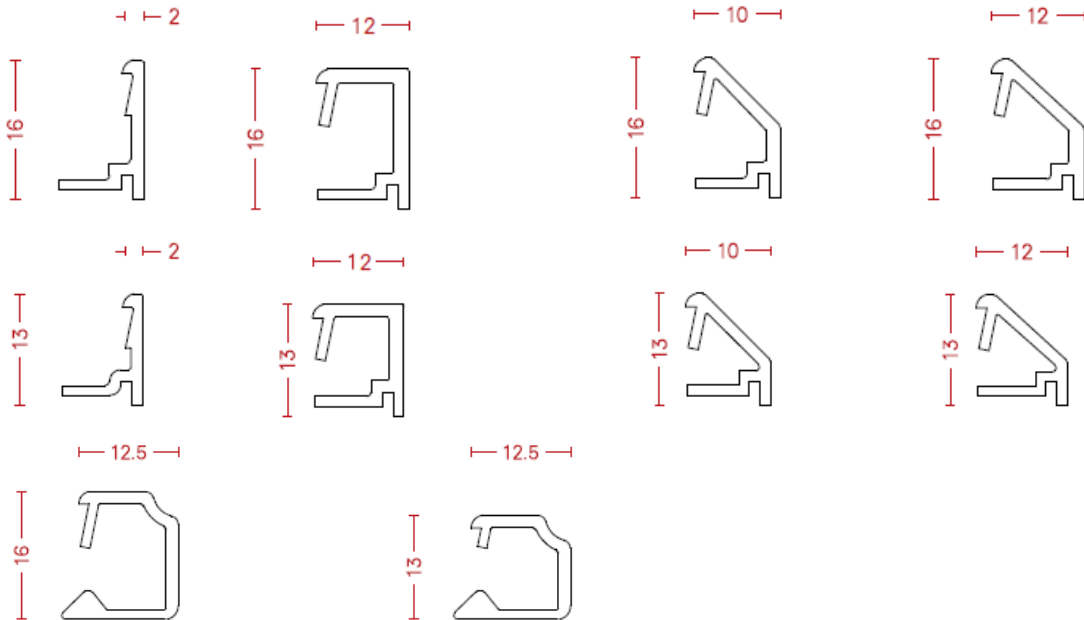
Performance

Air Permeability up to Class 4 to EN12207
Water Resistance up to 9A to EN12208
Resistance to Wind Load up to C5 to EN12210
Security up to RC2
Thermal Performance Typical U_w value 1.5 W/m²K

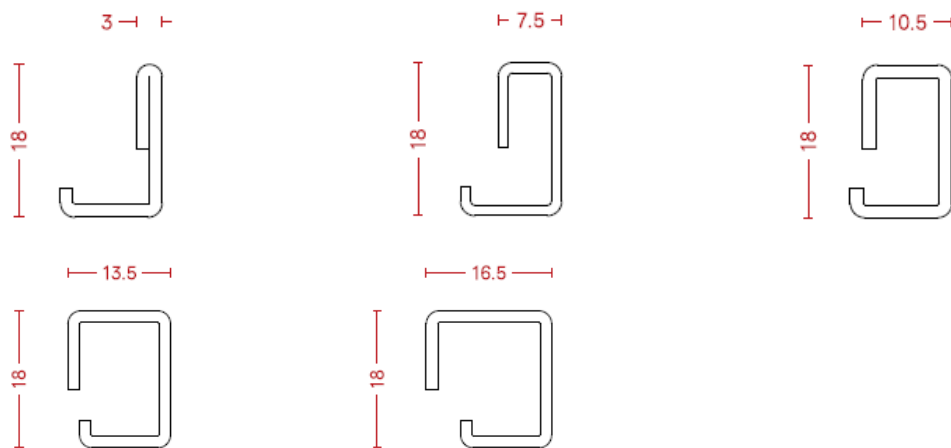
Window Type	Max. tested size (WxH)	Air Permeability (EN12207)	Water Tightness (EN12208)	Resistance to Wind Load (EN12210)	Security Testing (EN1627)	Sound Insulation (ENISO10140)
Fixed	1500mm x 2200mm	Class 4	Class 7B	C5/2000Pa		up to Rw 41dB
Side Hung, Open in, Single Leaf	750mm x 2200mm	Class 4	Class 7B	C3/1200Pa		up to Rw 41dB
Side Hung, Open in, Double Leaf	1500mm x 2200mm	Class 4	Class 7B	C3/1200Pa		up to Rw 41dB
Side Hung, Open out, Single Leaf	850mm x 1700mm	Class 4	Class 9A	C5/2000Pa		up to Rw 41dB
Bottom Hung	750mm x 2200mm	Class 4	Class 7B	C3/1200Pa		up to Rw 41dB
Top Hung	850mm x 1700mm	Class 4	Class 9A	C5/2000Pa		up to Rw 41dB
Multilight Casement Window	1698mm x 1789mm	Class 3	Class 3A	A3		Rw 46 (-1;-5) dB
Door, Open out, Double Leaf	2100mm x 2400mm	Class 2		C2	RC2	up to Rw 41dB
Door, Open in, Double Leaf	2100mm x 2400mm	Class 2	Class 1A	C2	RC2	up to Rw 41dB

Glazing Beads

Aluminium



Galvanised Steel / Stainless Steel

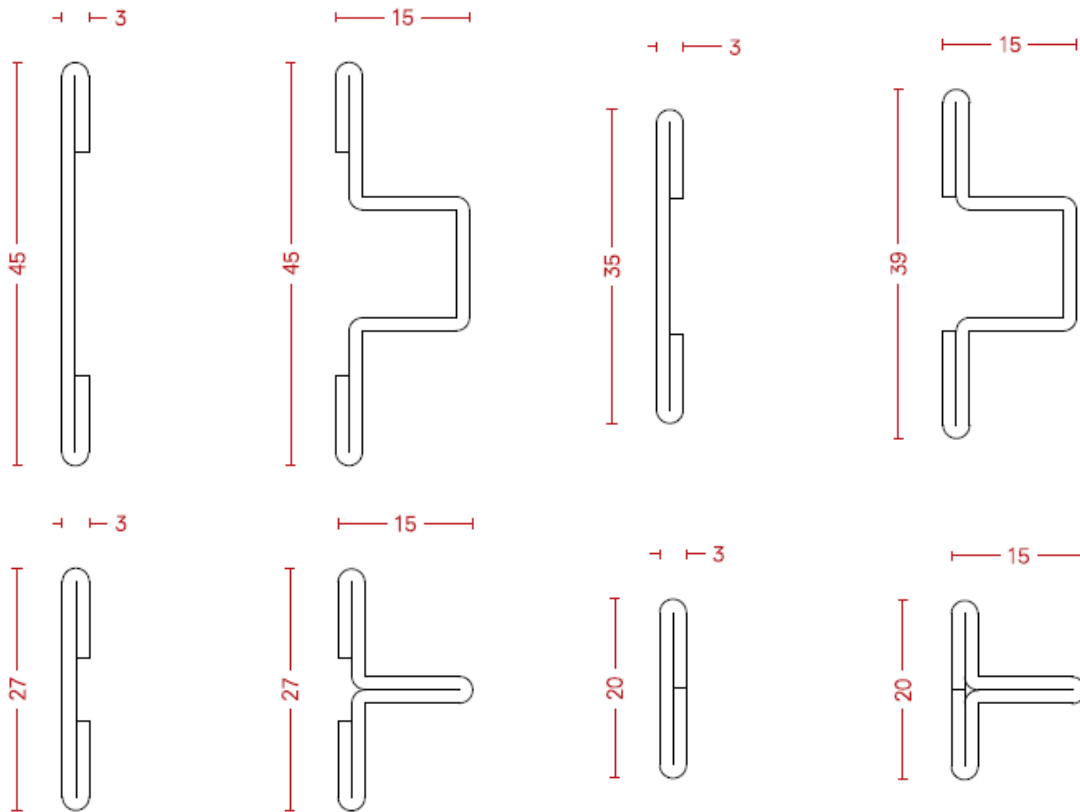


Galvanised Steel

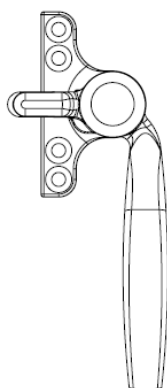


Glazing Bars

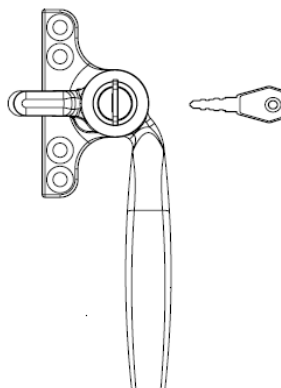
Galvanised Steel



Handles



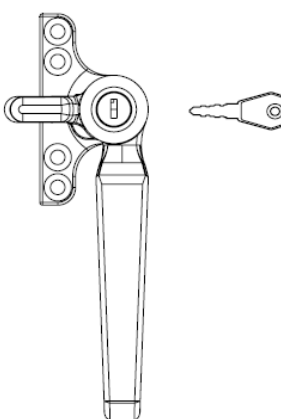
Classic Handle
Available in
Satin Chrome
Brushed Copper
Dark Bronze
Gun Metal
Antique Brass
Matt Black
Oil Rubbed Bronze



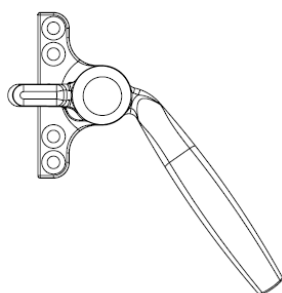
Classic Handle with Key
Available in
Satin Chrome
Brushed Copper
Dark Bronze
Gun Metal
Antique Brass
Matt Black
Oil Rubbed Bronze



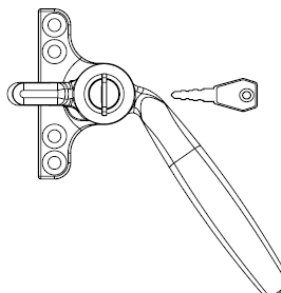
Inline Handle
Available in
Satin Chrome
Brushed Copper
Dark Bronze
Gun Metal
Antique Brass
Matt Black
Oil Rubbed Bronze
Brushed Brass



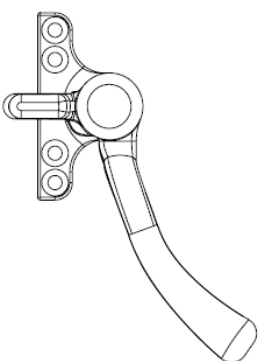
Inline Handle with Key
Available in
Satin Chrome
Brushed Copper
Dark Bronze
Gun Metal
Antique Brass
Matt Black
Oil Rubbed Bronze



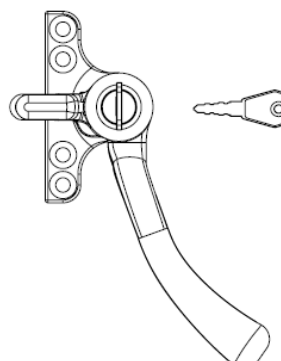
Angled Handle
Available in
Satin Chrome
Brushed Copper
Dark Bronze
Gun Metal
Antique Brass
Matt Black
Oil Rubbed Bronze



Angled Handle with Key
Available in
Satin Chrome
Brushed Copper
Dark Bronze
Gun Metal
Antique Brass
Matt Black
Oil Rubbed Bronze



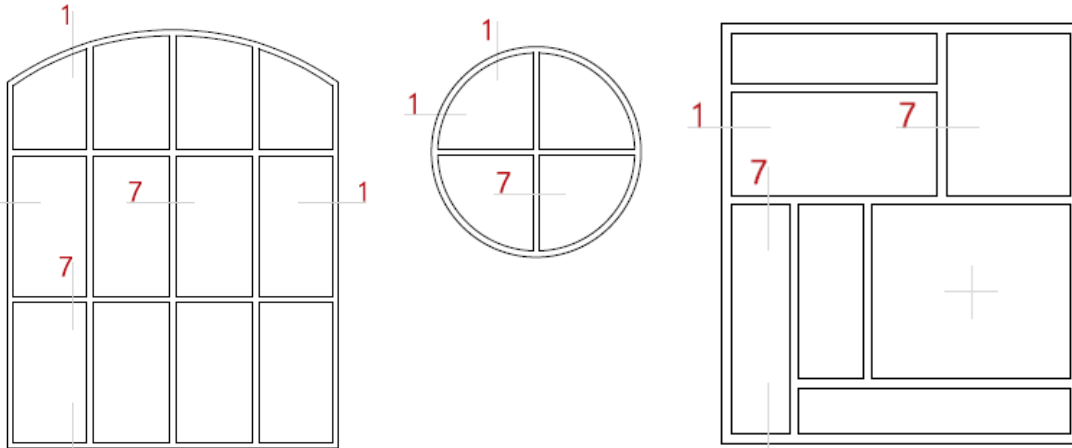
Sweeping Handle
Available in
Satin Chrome
Brushed Copper
Dark Bronze
Gun Metal
Antique Brass
Matt Black
Oil Rubbed Bronze
Brushed Brass



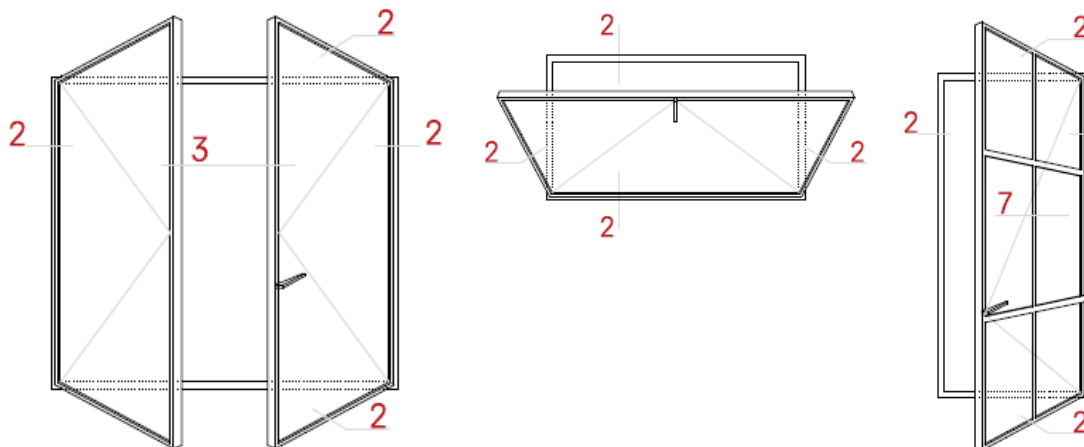
Sweeping Handle with Key
Available in
Satin Chrome
Brushed Copper
Dark Bronze
Gun Metal
Antique Brass
Matt Black
Oil Rubbed Bronze

Typical Details

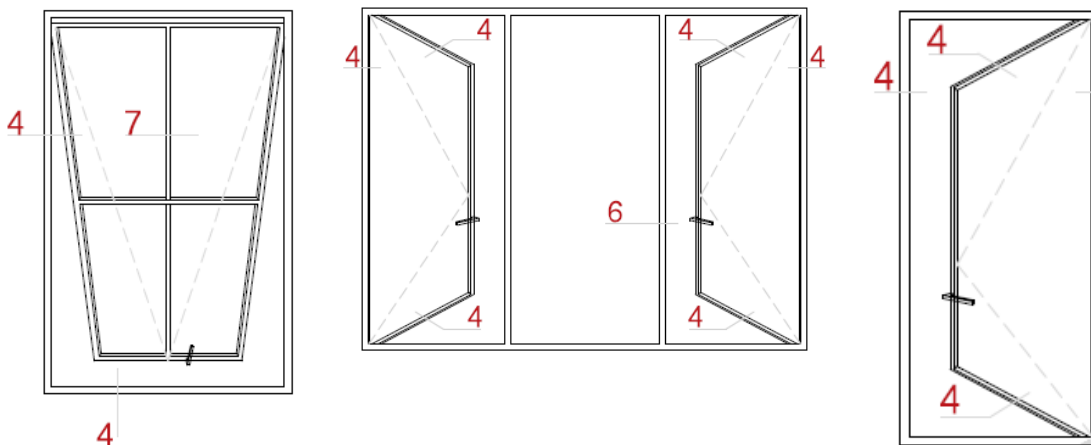
Fixed Glazing



Inward Opening

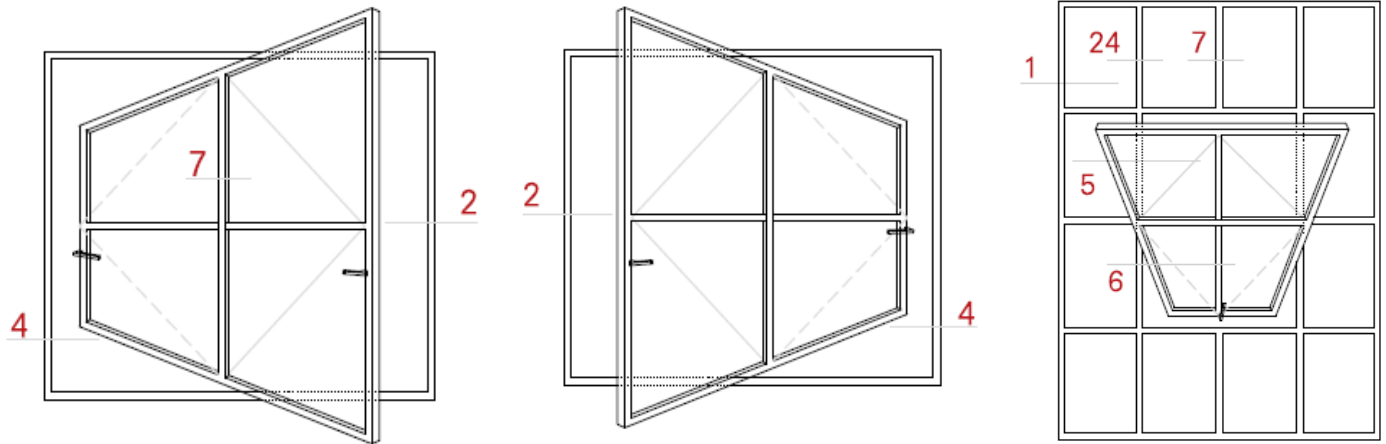


Outward Opening

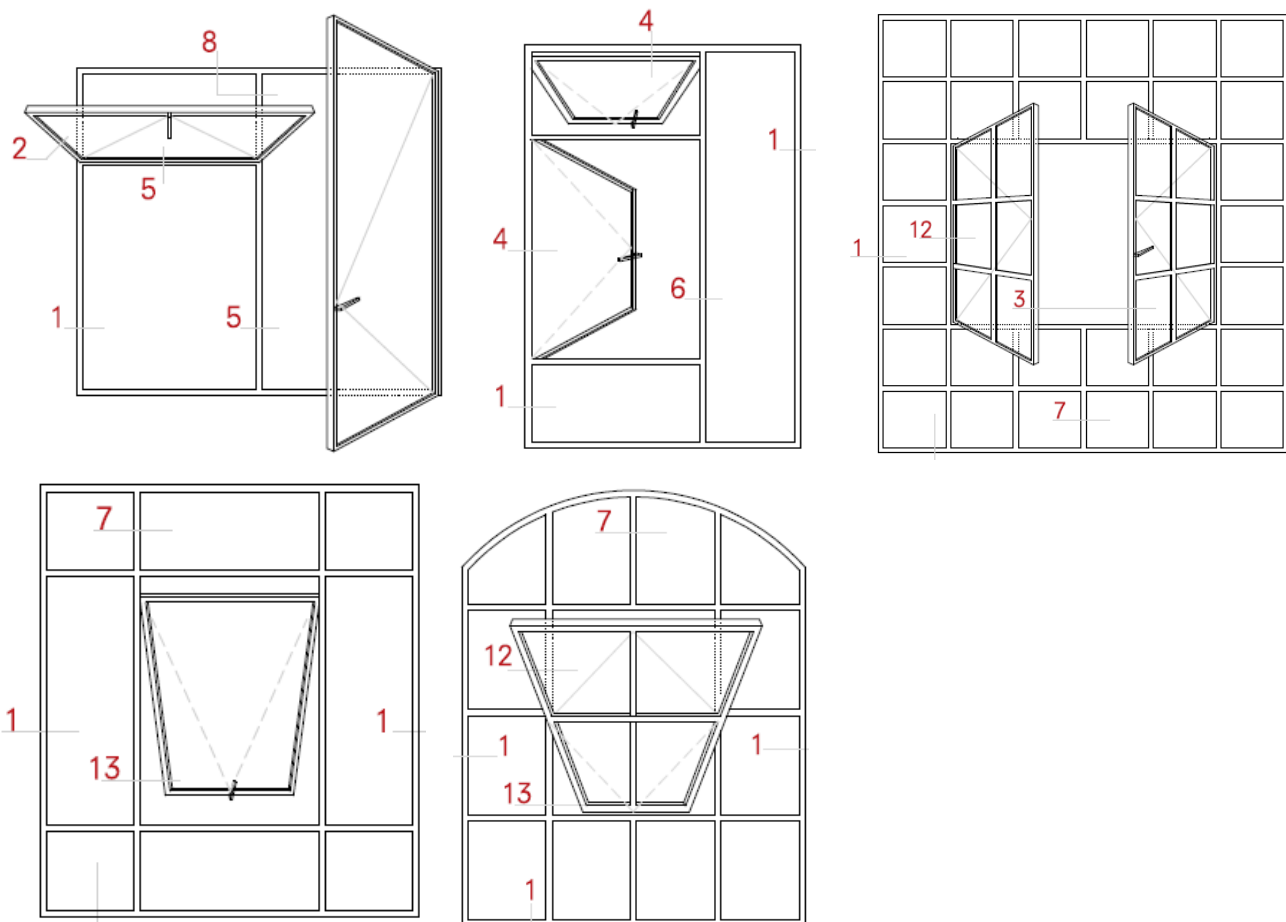


Typical Opening Types

Pivoting Windows

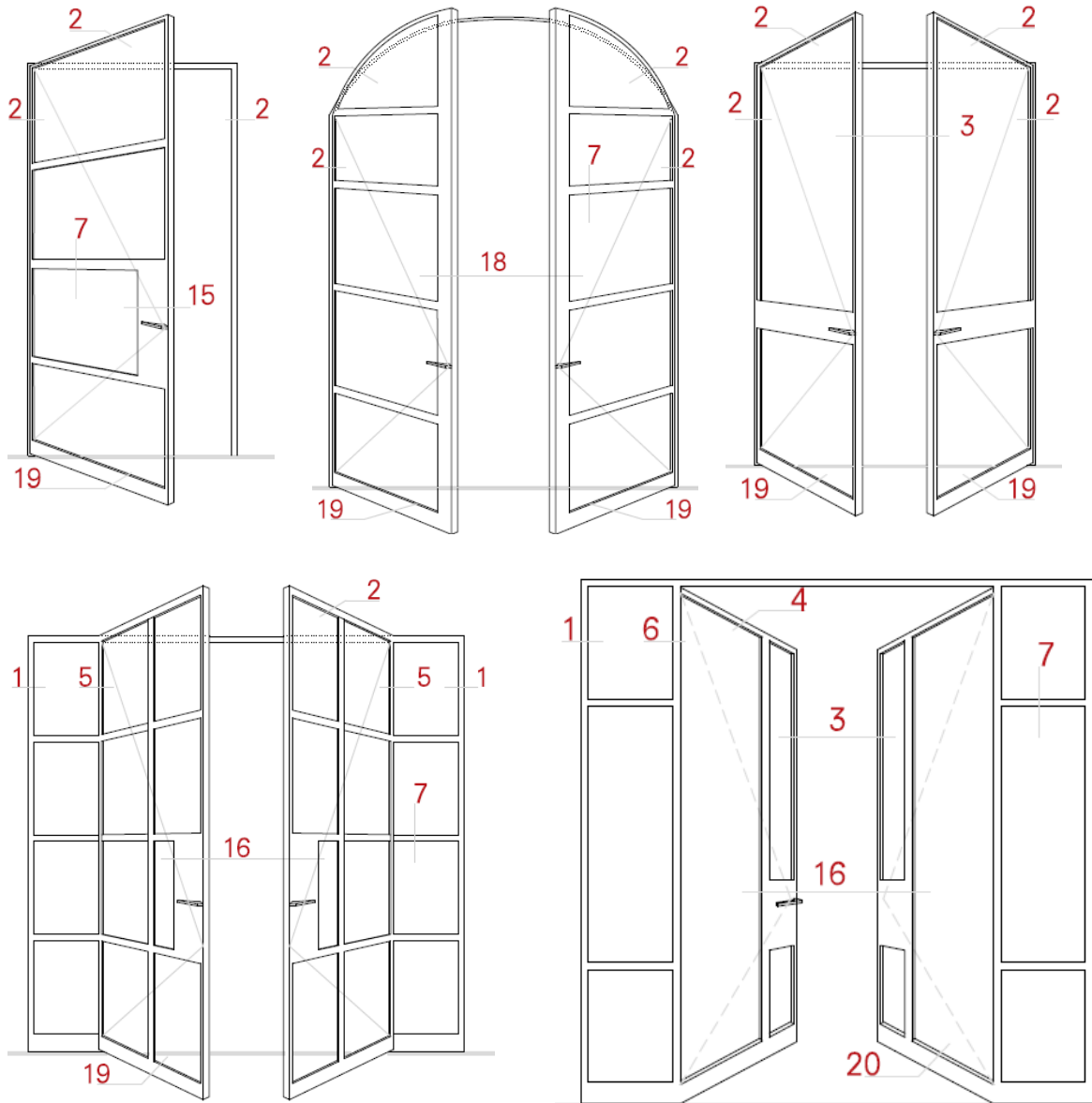


Multilight Windows



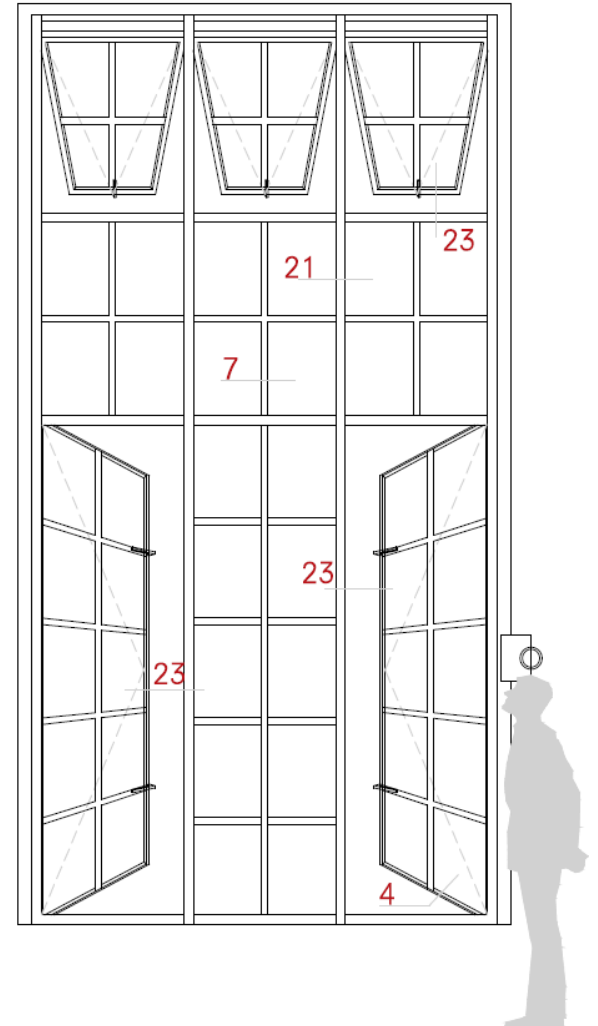
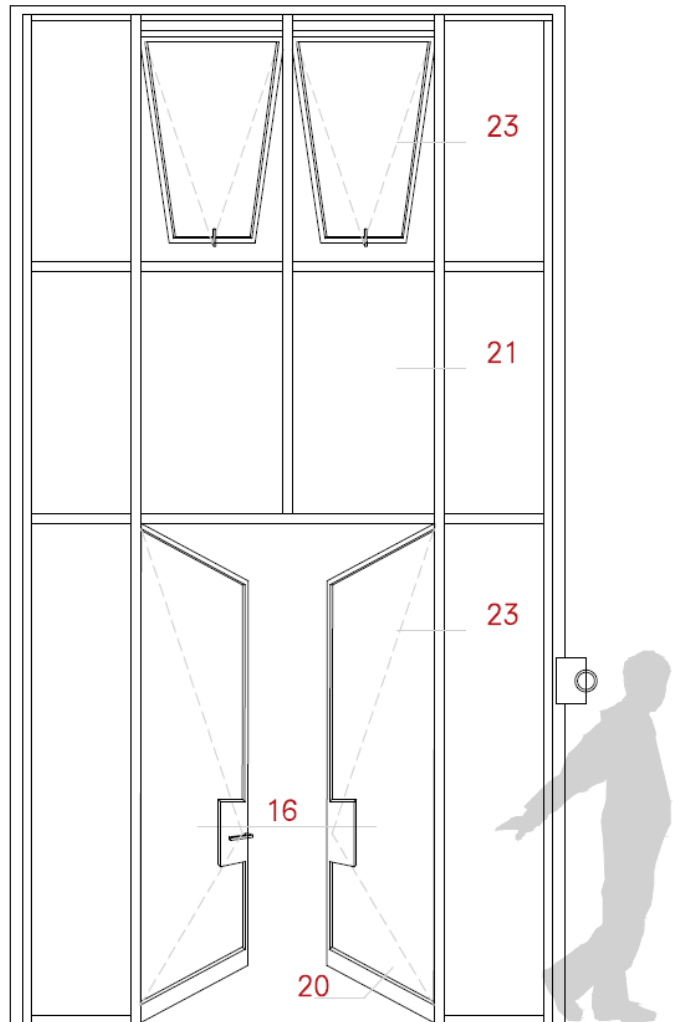
Typical Opening Types

Door Openings



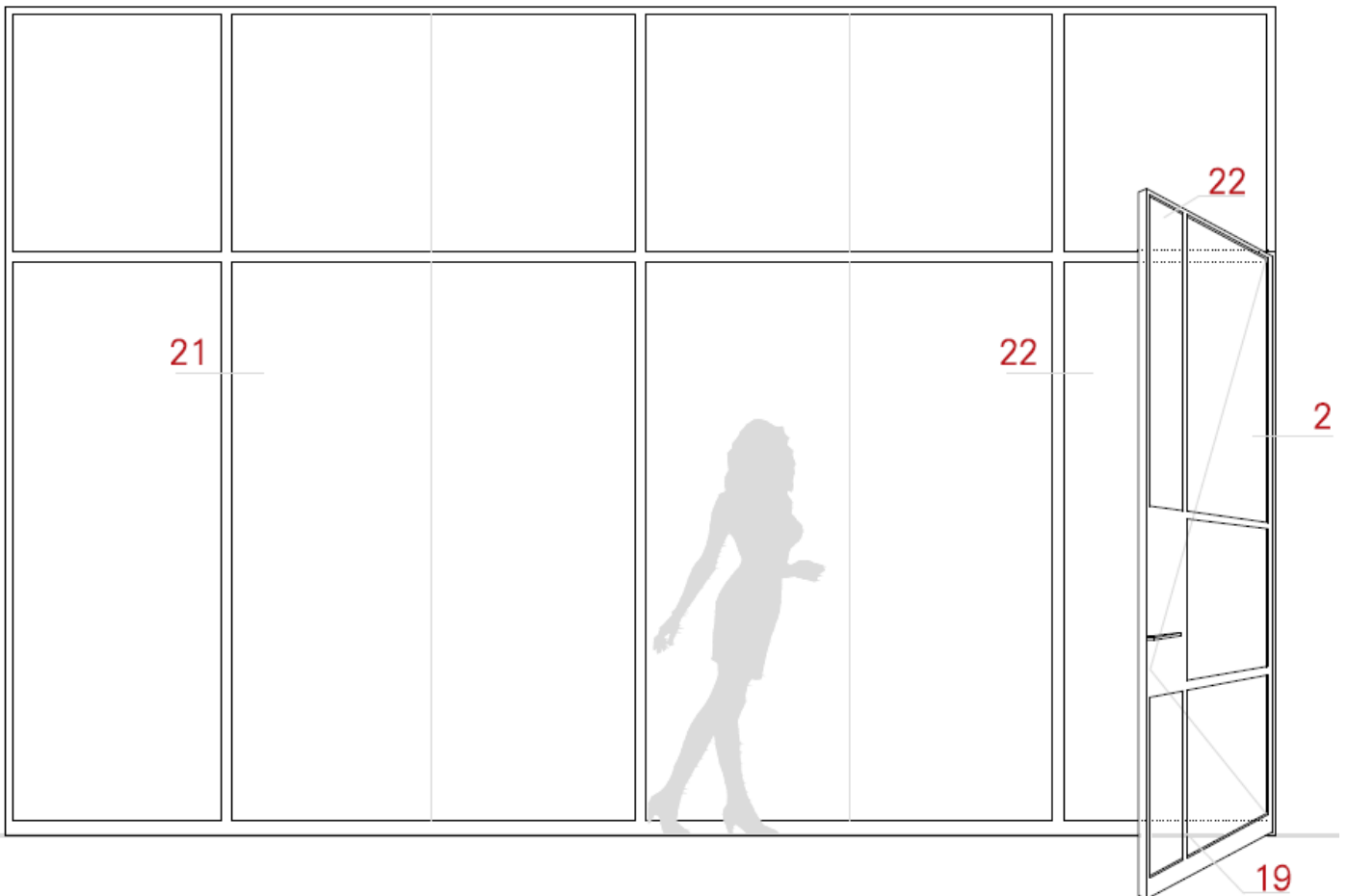
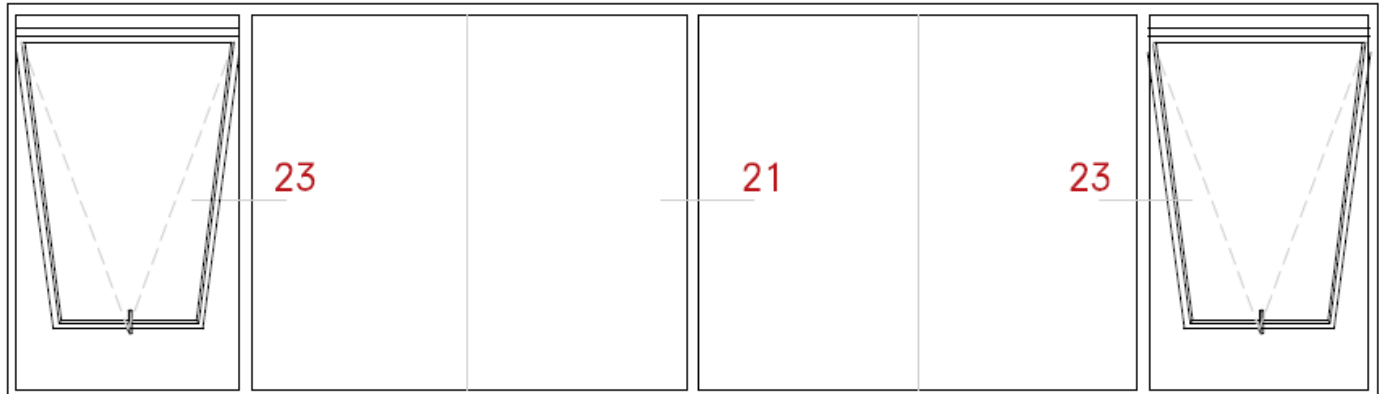
Typical Opening Types

Window and Door Openings

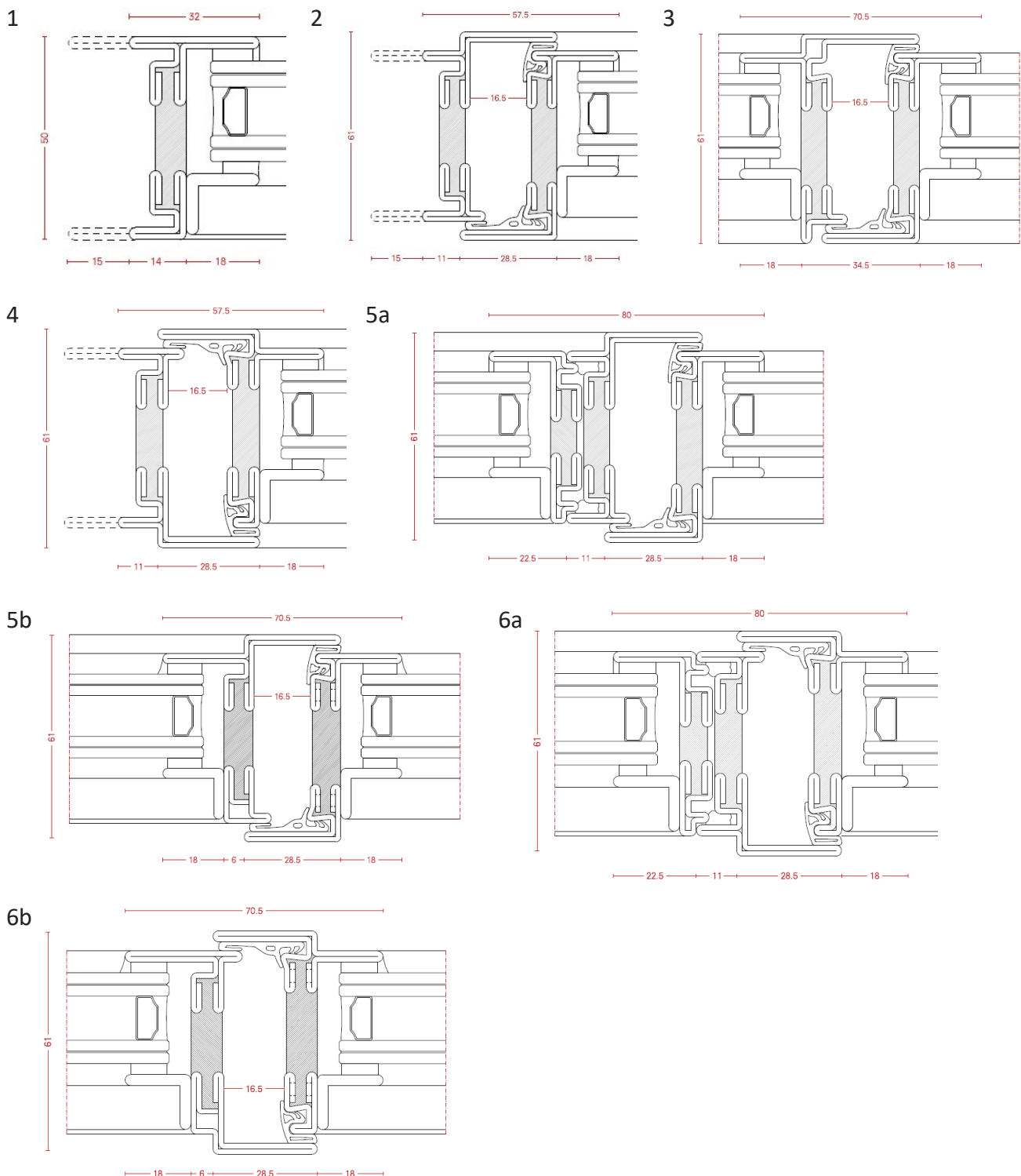


Typical Opening Types

Window and Door Openings

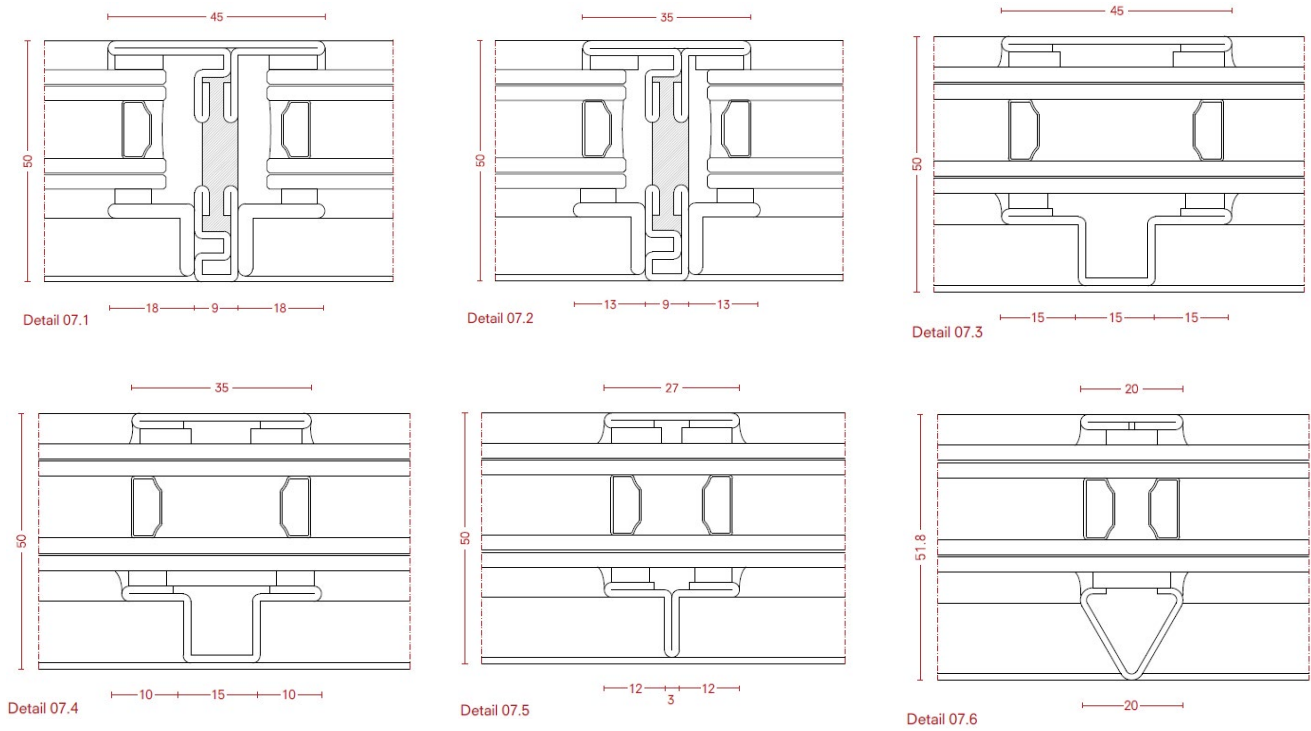


Typical Details

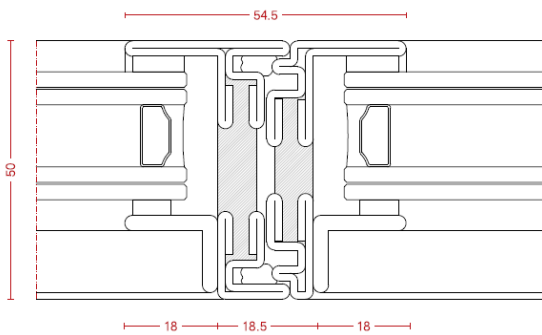


Typical Details

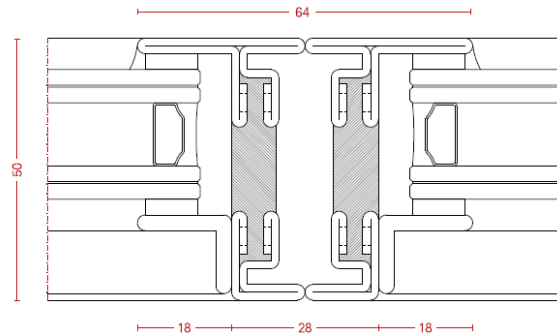
7



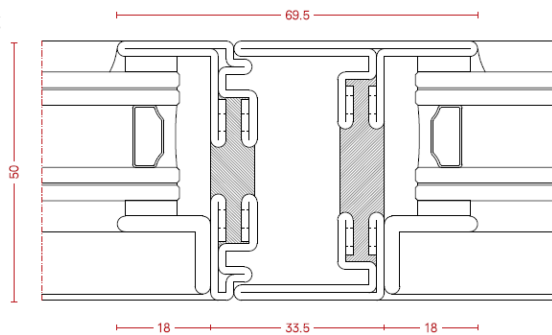
24a



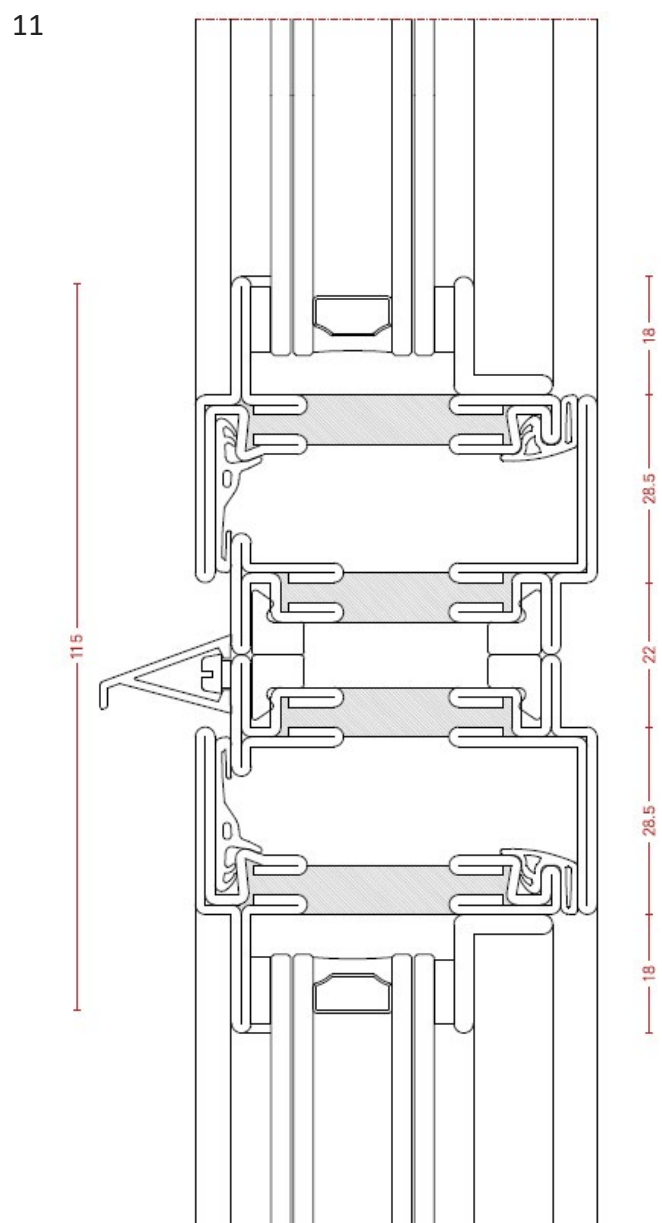
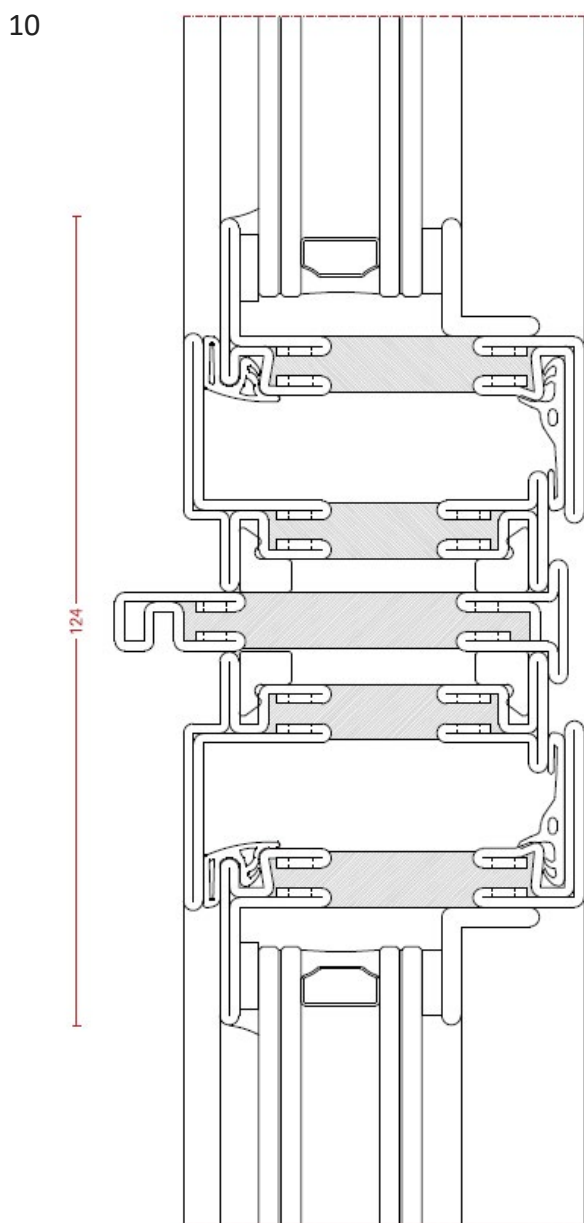
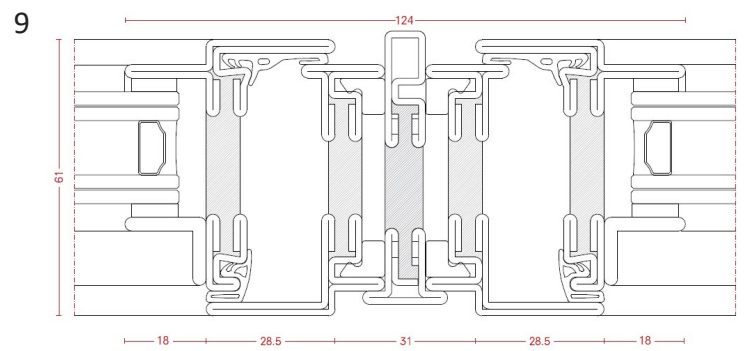
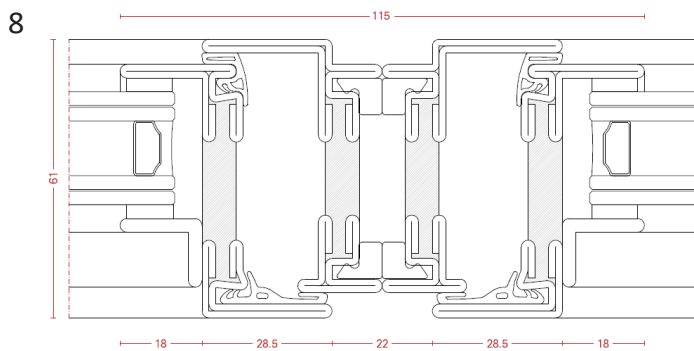
24b



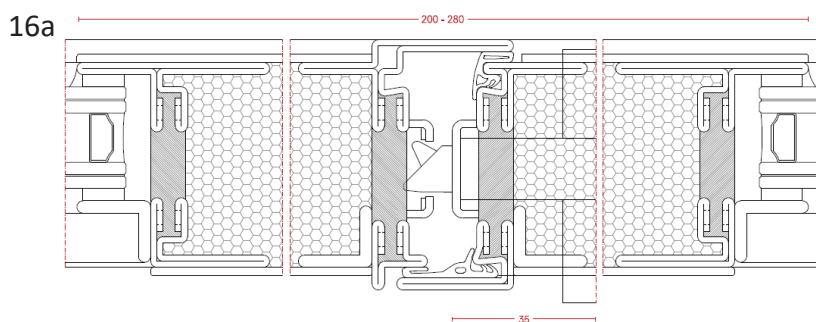
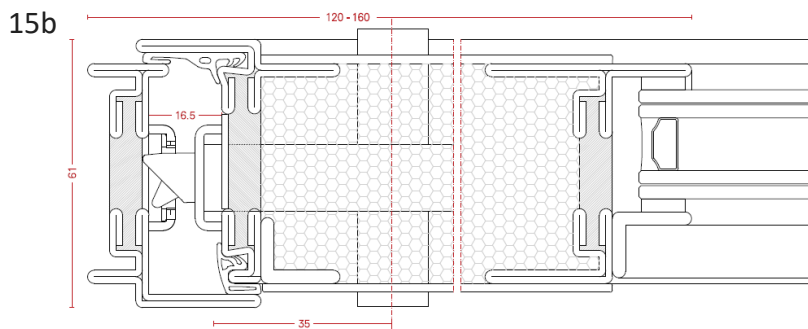
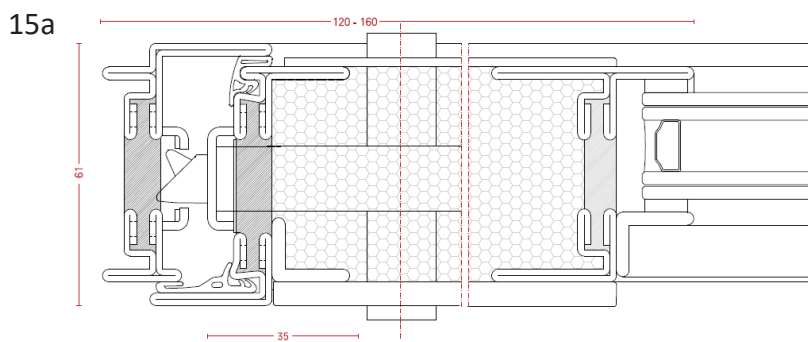
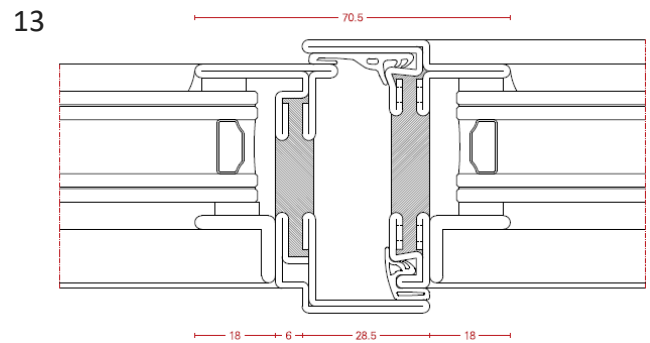
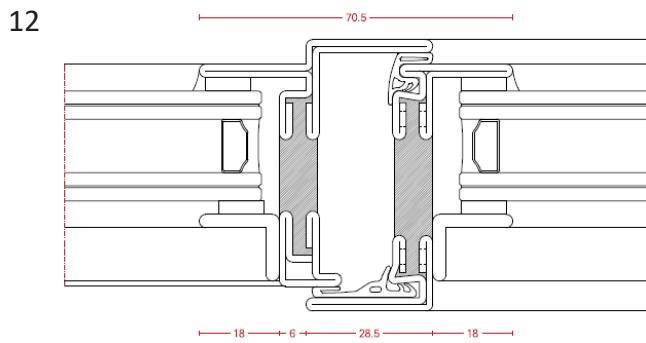
24c



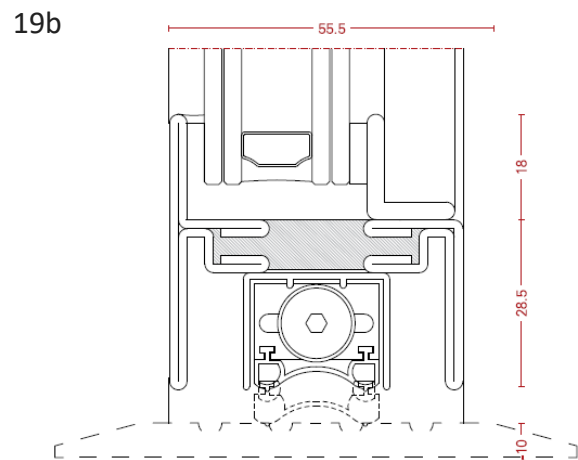
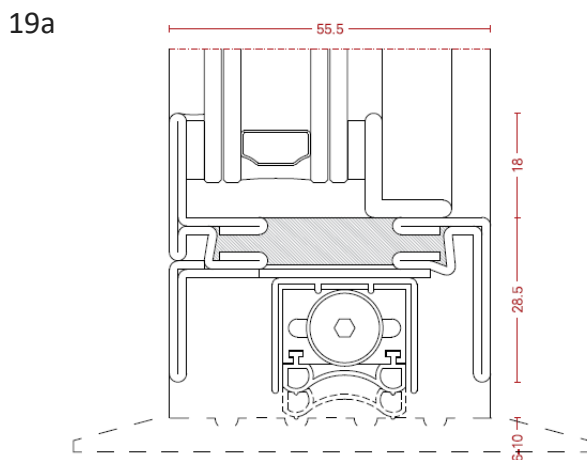
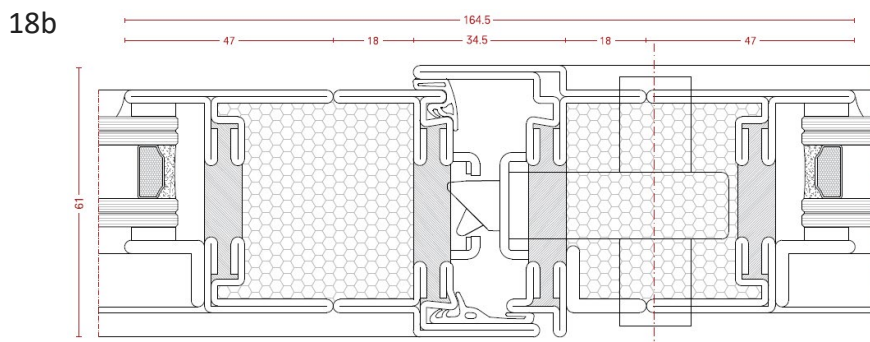
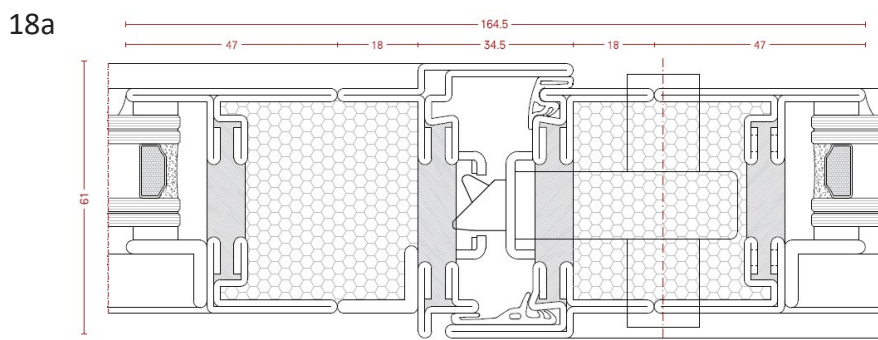
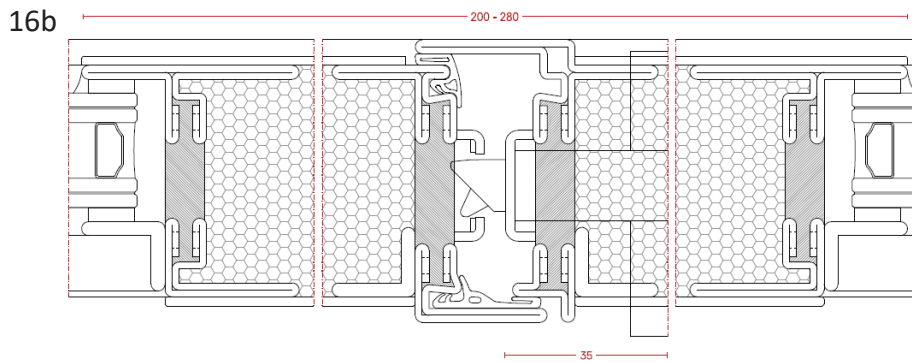
Typical Details



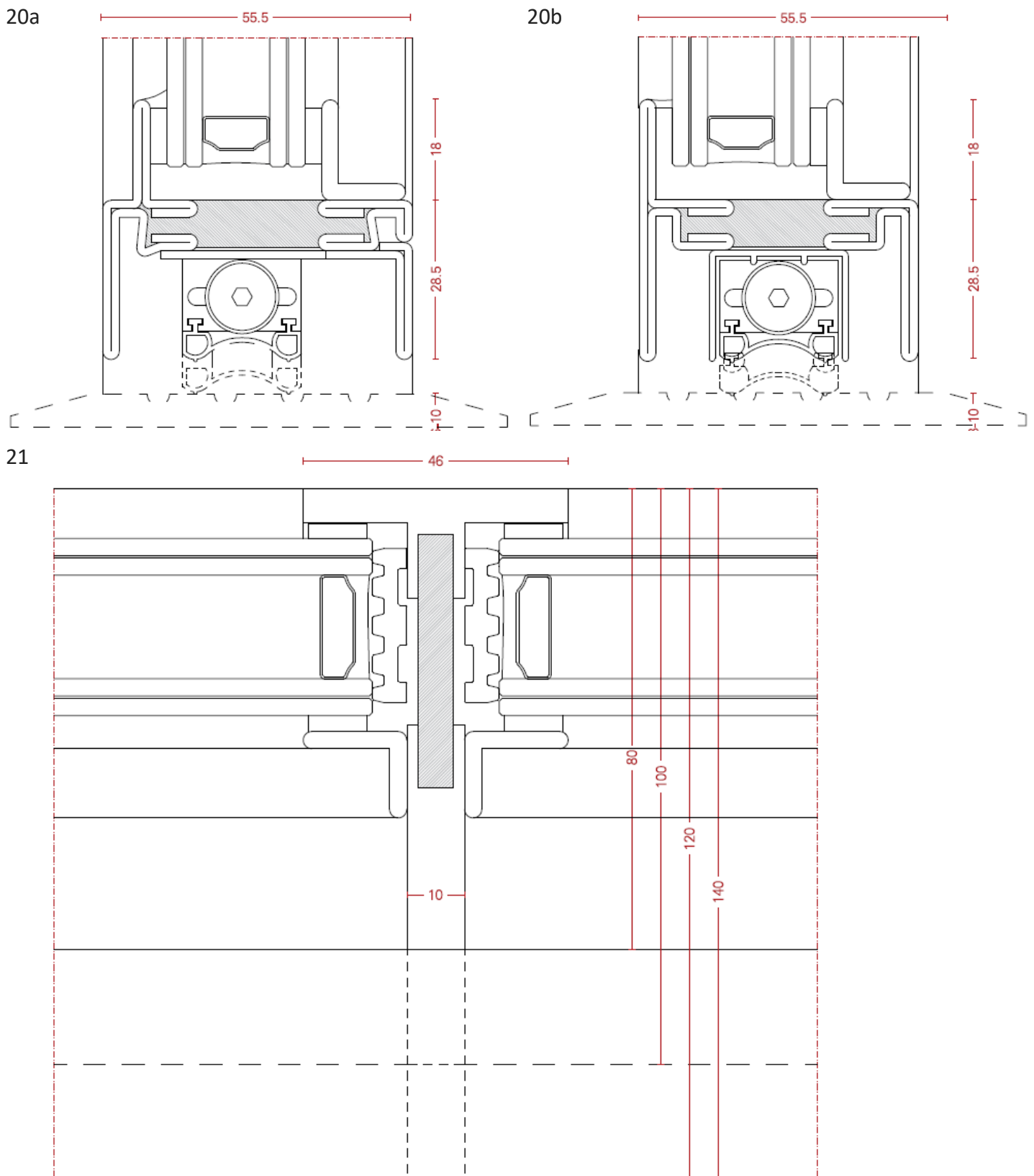
Typical Details



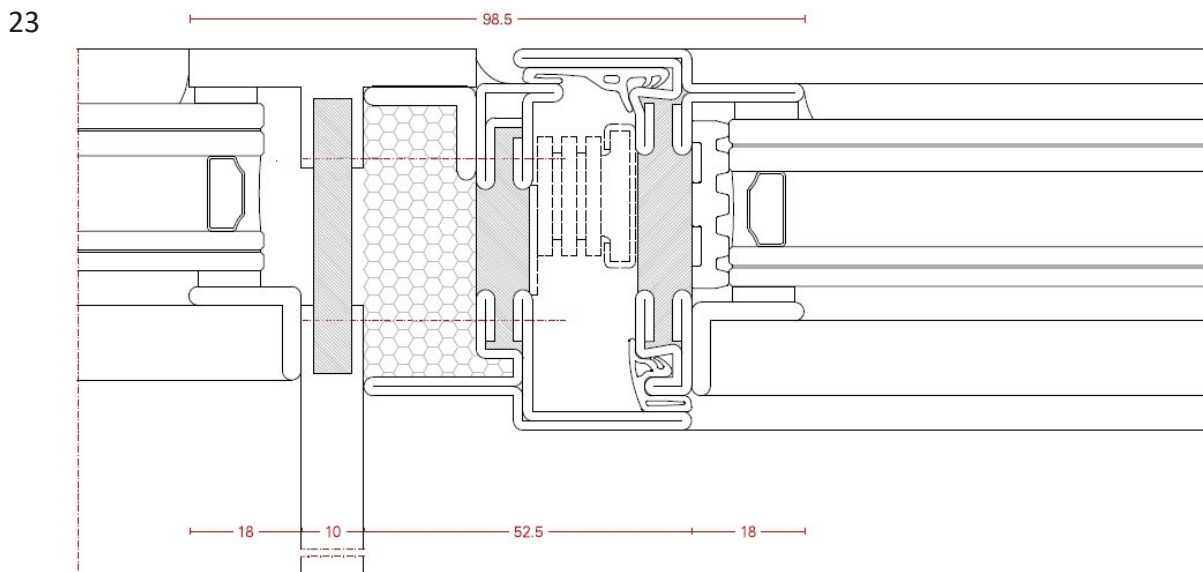
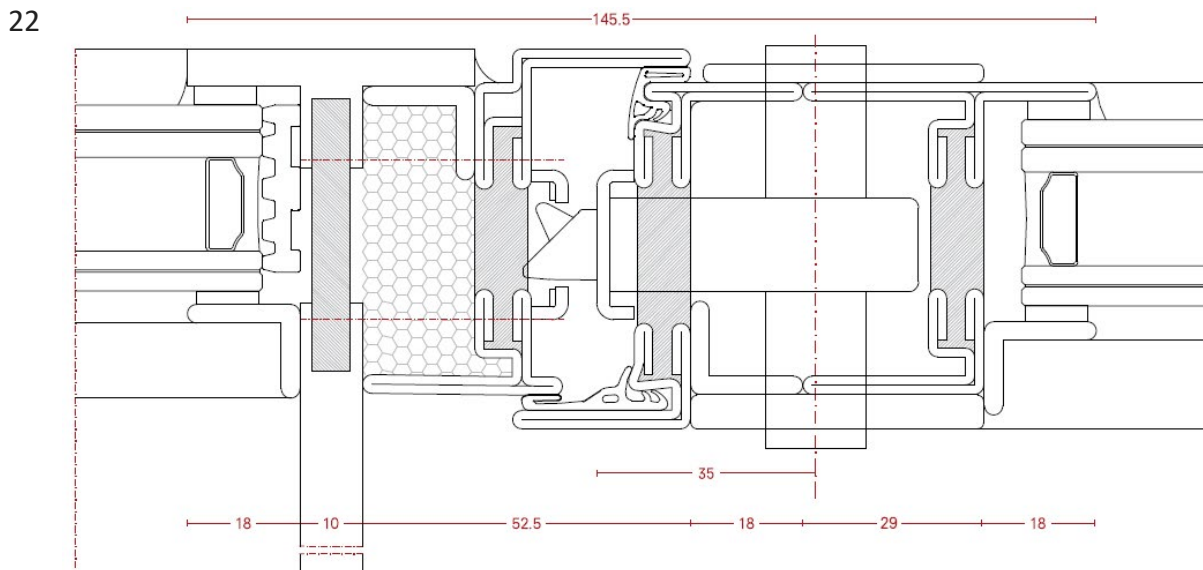
Typical Details



Typical Details



Typical Details



How to Specify a Mondrian System from IQ

Mondrian Windows and Doors are the first choice for architects and designers all over the UK looking for artisan steel design with modern performance values. If you would like to specify a Mondrian product on your project just speak to the team at IQ who would be happy to assist.

Speak to the team at IQ

The team at IQ are the experts in our Mondrian product range. If you are considering using a Mondrian product on your project speak to the team at IQ who will be able to advise you on the best solution for your intended design, ensure that all specification criteria are met and advise you on any feasibility areas of the installation you may not have considered.

Get a Quotation

We advise our customers to get a quotation for intended Mondrian installations from IQ. This allows us all to ensure that the preferred product and design is within budget. If it is not we can help you adjust the specification to reach all performance, design and budgetary requirements.

Add us to your NBS Specification

To assist you in specification we have created individual NBS Specification sheets for each Mondrian product. These easy to navigate documents contain all the vital information needed for specification. They are available for your to complete on your own alternatively ask your sales representative at IQ to complete this on your behalf.

Place the Order

When ready you (or your client or the builder) can then place the order for your Mondrian window or door with us. A full in-house handover will take place and your project will be passed to the contracts and design team. Once your project deposit is placed we will then undertake full design drawings for the Mondrian installation. Please allow at least 20 working days for the design process.

The project will be appointed a dedicated contracts manager who will oversee the installation process. The estimated lead time for Mondrian products is 6 to 14 weeks depending on system and material chosen. This may be more for specialist installations. This will be confirmed on order.

Any Questions?

Contact the team at IQ who will be happy to help and to explore the Mondrian product range with you.