



super lux bifold door

ultra tall bifold doors

imposing heights of **up to 5m**
available

stainless steel hardware for smooth
sliding actions

slim vertical junctions of 144mm

integrated locking that maintains
slim profiles

impressive performance; water (7A)
and air (4)

maximum thermal efficiency U_w
values less than **1.6 W/m²K**

open possibilities with **corner sliding**
+ biparting doors

efficient manufacturing + lead times

super lux bifold door

Technical Data Sheet

GLASS

Typical Glass Spec 6mm toughened outer / 16mm argon filled cavity / 6mm toughened inner with low e coating

Maximum Glass Weight 260kg per vent

Glass Options Solar Control Glass, Low Iron Glass, Low Maintenance Glass. Triple glazing possible on request.

Glazing Beads Internally beaded

Gaskets on all perimeter edges

Maximum Glass Thickness 32mm

IRONMONGERY

Rails Stainless Steel

Wheels stainless steel rollers with double mechanism for added durability

Hinges Extruded aluminium

Locking up to 3 point locking operated via euro cylinder key lock

Handles a range of options available, set at 1.1m from FFL

CONFIGURATIONS

No restriction on number of bifolding panes.

Bi-parting, Opening corners (with the same or different track numbers meeting one another).

NOTE that 'pass doors' attached to the bifolding stack are not possible. Pass doors can be wall mounted.

MAXIMUM SIZES

Width 1200mm per vent

Height 3000mm to 5000mm tall

FRAME

Ultra slim thermally broken aluminium profile

Vent Frame 44mm

Meeting Profile (overall) 144mm

Base Frame (above FFL) 60mm

Overall System Depth 77mm

Head Frame 100-126mm

PERFORMANCE

Uw Value from 1.6 W/m²K*

Air Permeability Class 4 in accordance with EN 12207

Water Tightness Class 7A to 9A in accordance with EN 12208

*typical Uw value based on Ug values 1.0 to 1.3.

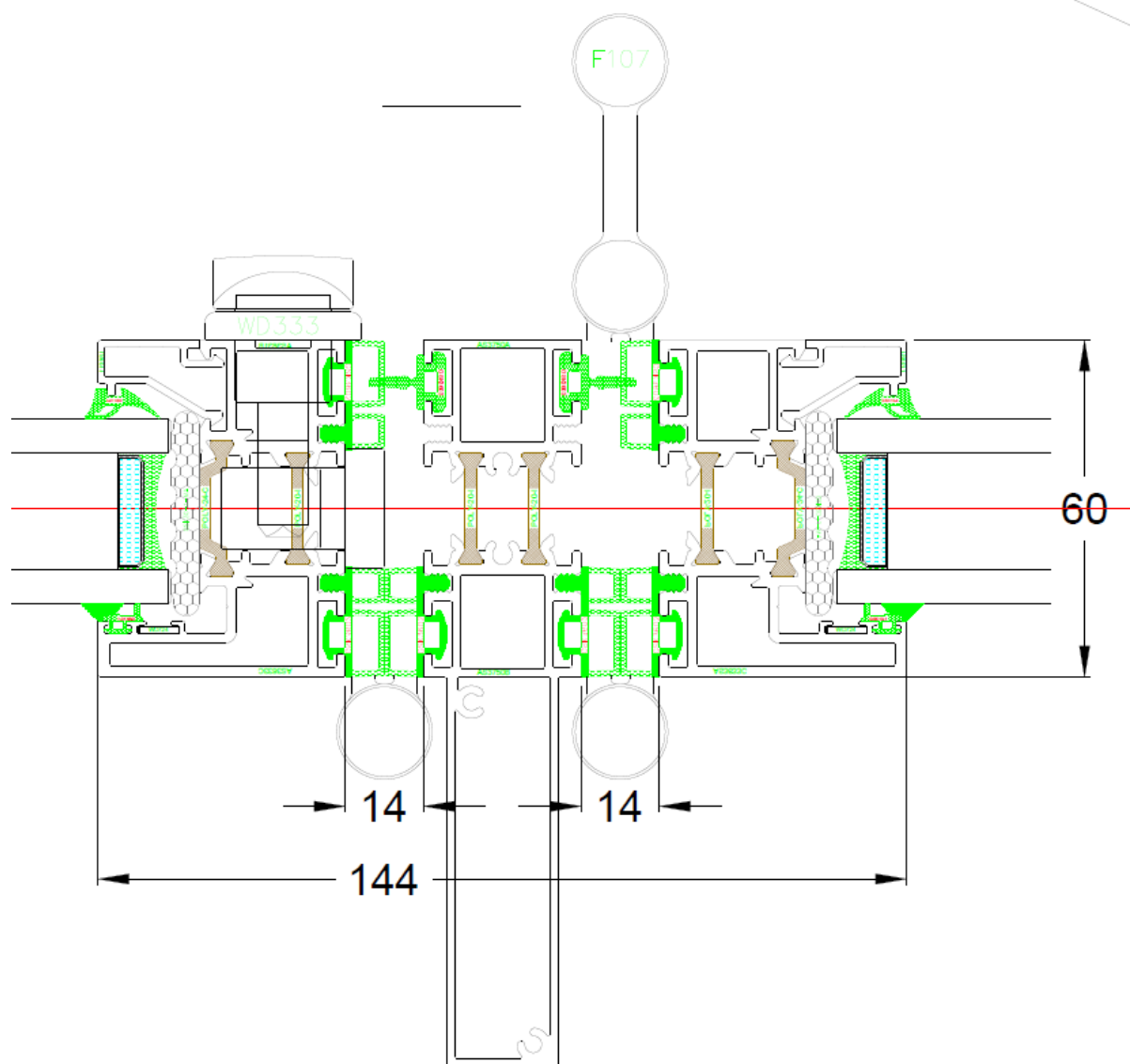
Individual project Uw values must be calculated per project.



super lux bifold door

Typical Frame Sections

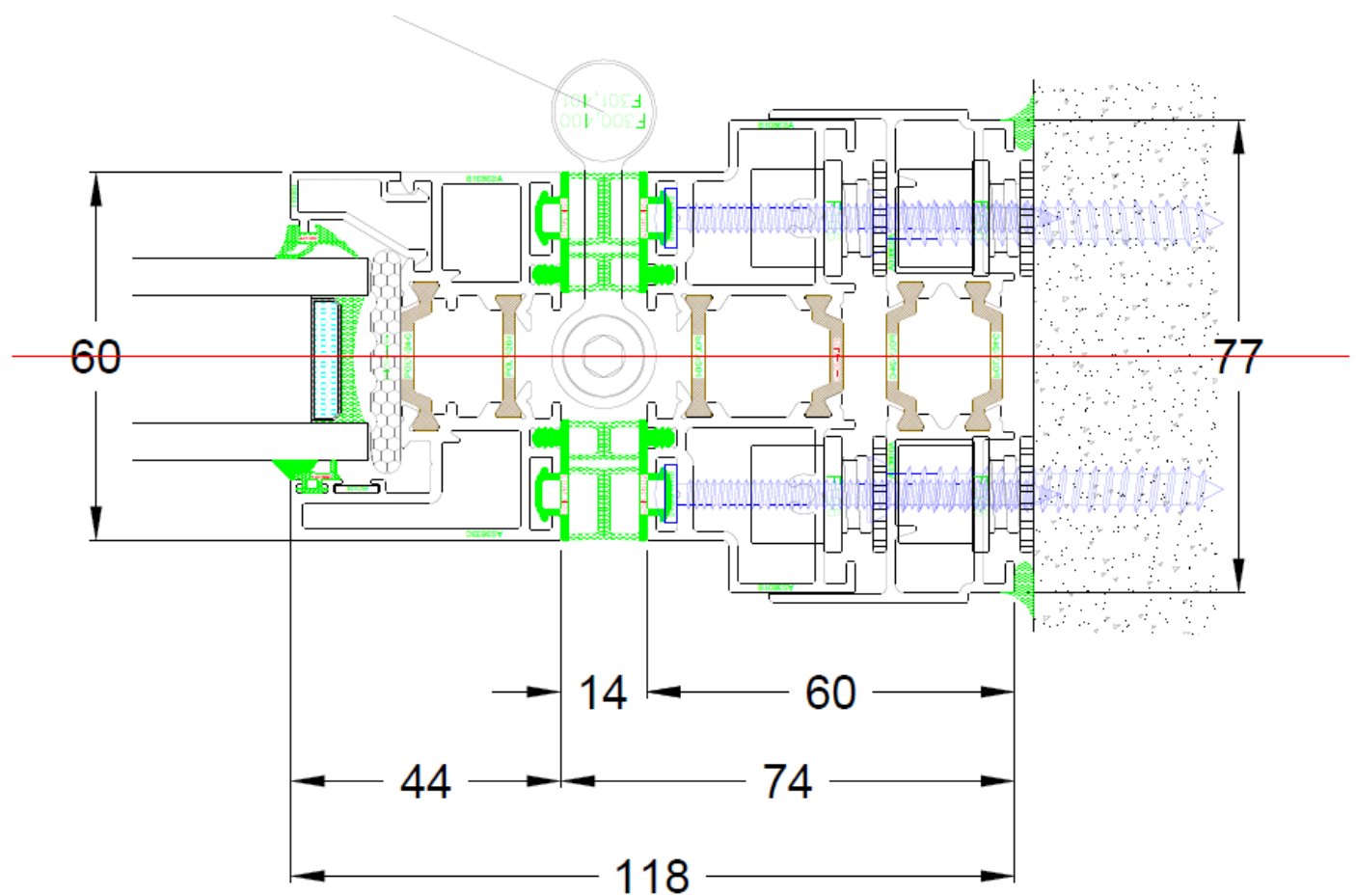
HORIZONTAL SECTION, MEETING STILE



super lux bifold door

Typical Frame Sections

HORIZONTAL SECTION, VENTING + FIXED FRAME

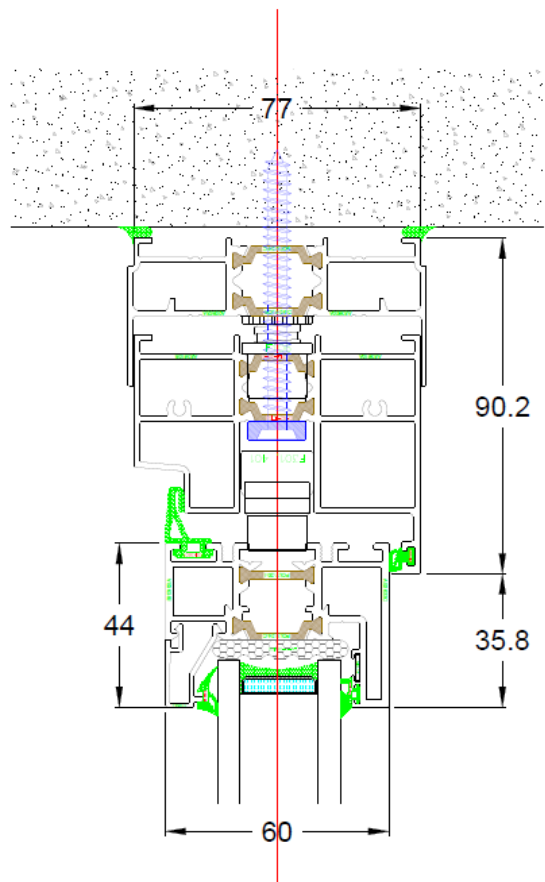
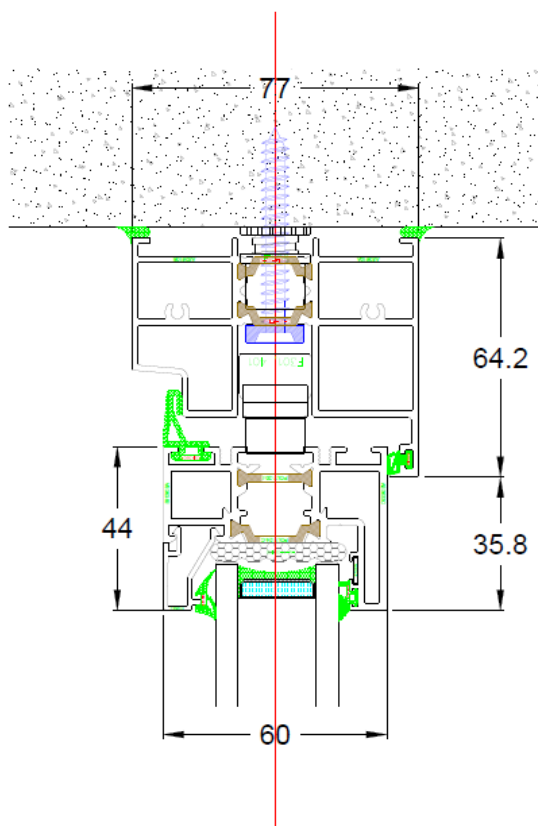


super lux bifold door

Typical Frame Sections

VERTICAL SECTION, HEAD FRAME

Adjustable head for spans over 3.8m wide.

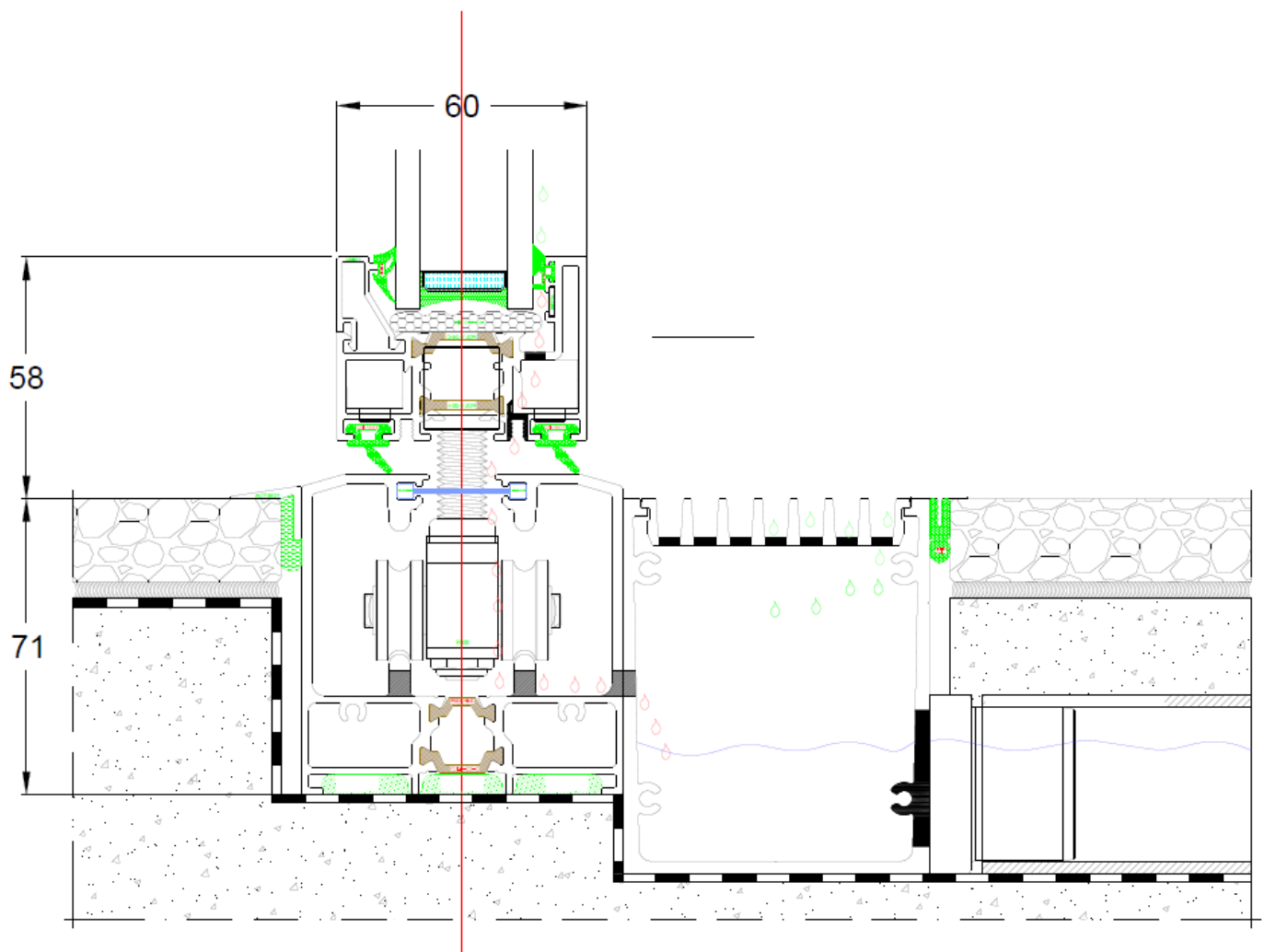


super lux bifold door

Typical Frame Sections

VERTICAL SECTION, TYPICAL BASE DETAIL

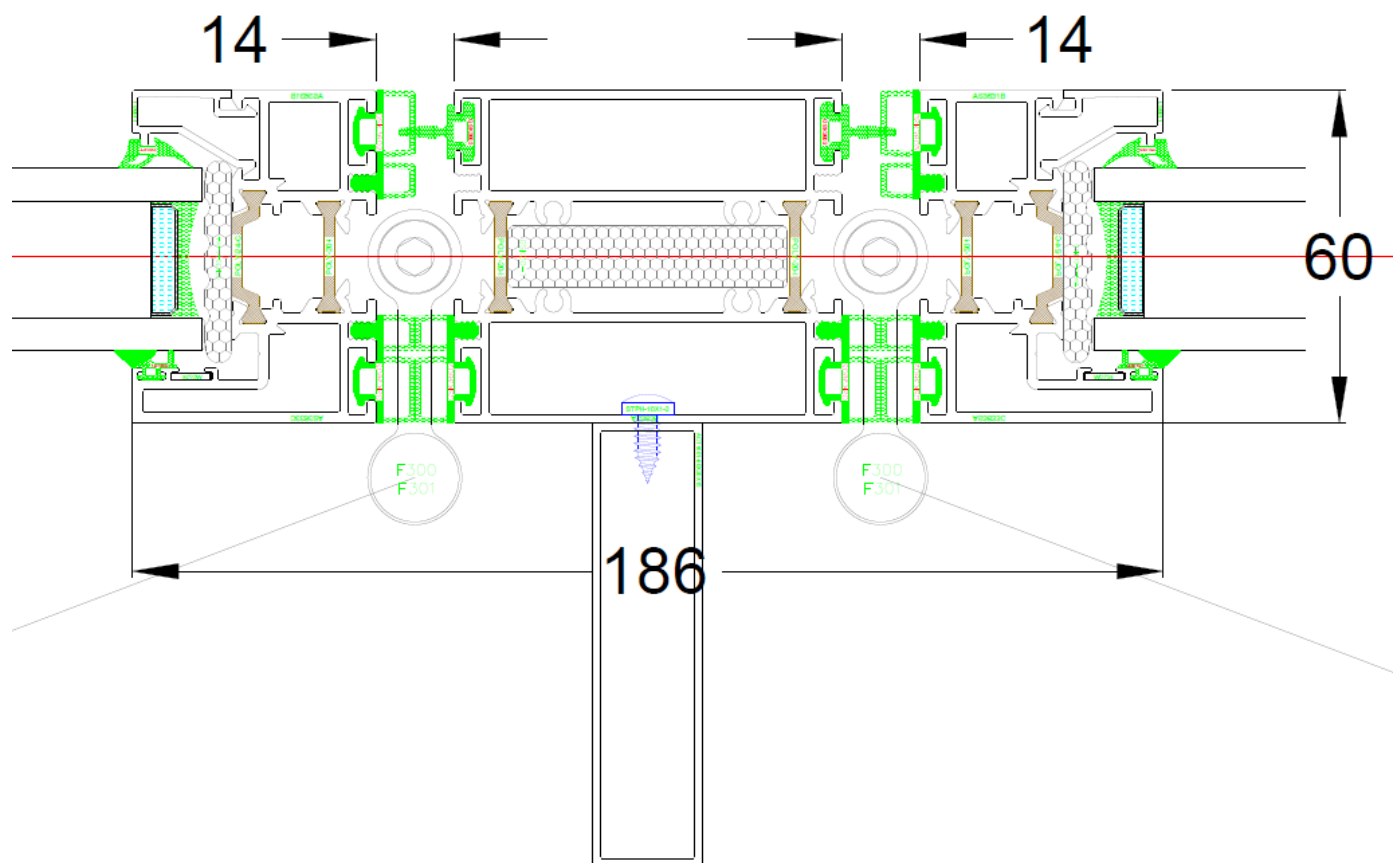
Water tightness Class 7A



super lux bifold door

Typical Frame Sections

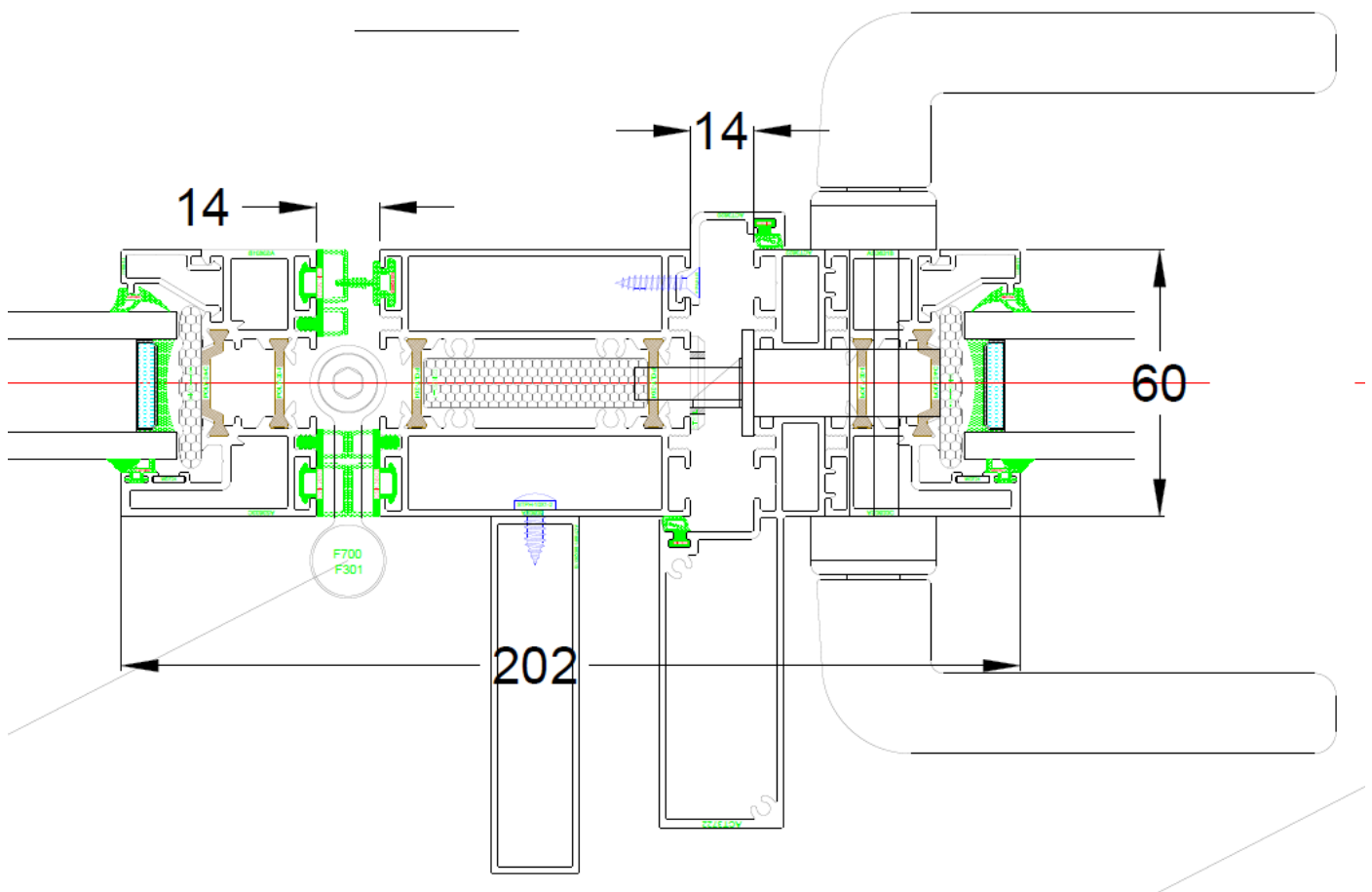
HORIZONTAL SECTION, BIPARTING MEETING STILE, EVEN TO EVEN



super lux bifold door

Typical Frame Sections

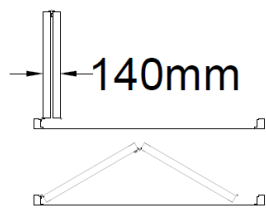
HORIZONTAL SECTION, BIPARTING MEETING STILE, EVEN TO UNEVEN



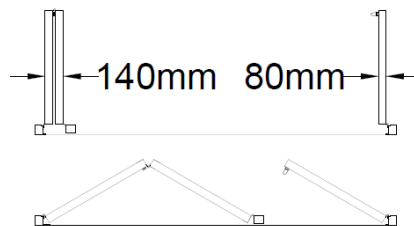
super lux bifold door

Stack Depths

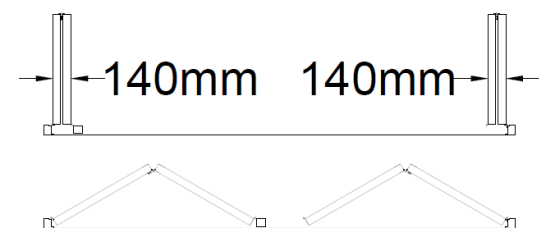
TWO PANE



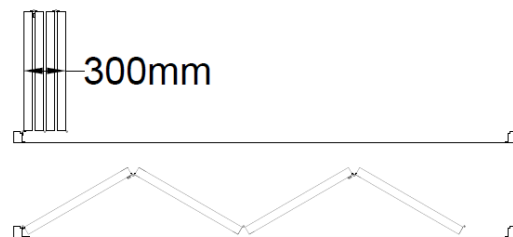
THREE PANE



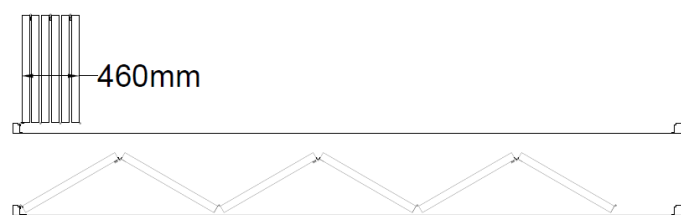
FOUR PANE, BIPARTING



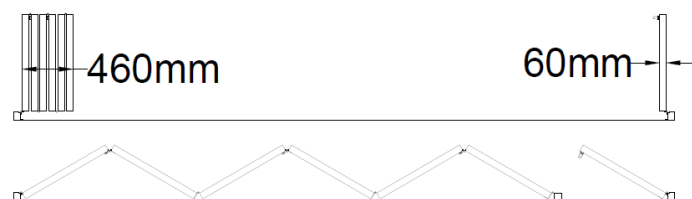
FOUR PANE



SIX PANE



SEVEN PANE



super lux bifold door

Handle Designs

PASS DOOR, LEVER/LEVER HANDLE

Available in two styles as standard.

The system can also be fabricated with any 30mm backset lock of your choice. Speak to the team for further information.



BIFOLD LEAF HANDLE



INDEPENDENT PASS DOOR HANDLE

Available with or without removeable key.



FINISHES

All handles are available PPC any RAL colour or anodised silver.

super lux bifold door

... for slimmer frames

SIEGER LUX BIFOLD

The slimmest bifolding door on the market.

Based on the same profiles as the Super Lux Bifold, the Lux Bifold achieves an overall vertical sightline of just 74mm.

QUICK DATA GUIDE

Max Size 3m tall, 1.2m wide per pane

Sightline 74mm overall (across double frame section).

Thermal Performance U_w values from 1.6 W/m^2K .

Weather Protection Air Class 4, Water Class 7A-9A.

Maximum Glass Thickness 32mm

Speak to your sales representative for more information.



super lux bifold door

How to Specify...

The Sieger® Architektursystem is available exclusively from the IQ Group and associated companies.

A Sieger® Systems product will bring high quality European engineering to your project and are the first choice for architects and designers all over the UK.

If you have any questions about how to specify this product for your project just speak to the team who would be happy to assist.

SPEAK TO THE TEAM

If you are considering using a Sieger® product on your project speak to the team at your chosen IQ Group glazing company. They will be able to advise you on the best solution for your intended design, ensure that all specification criteria are met and advise you on any feasibility areas of the installation you may not have considered.

GET A QUOTATION

We advise customers to get a quotation for the installation. This allows all parties to ensure that the preferred product and design is within budget. If it is not we can help you adjust the specification to reach all performance, design and budgetary requirements.

ADD US TO YOUR NBS SPECIFICATION

To assist you in specification we have created individual NBS Specification sheets for each Sieger® Systems product. These easy to navigate documents contain all the vital information needed for specification. They are available for your to complete on your own, alternatively ask your sales representative to complete this on your behalf.

PLACE THE ORDER

When ready, you (or your client or the builder) can then place the order for your products with us. A full in house handover will take place and your project will be passed to the contracts team. The project will be appointed a dedicated contracts manager who will oversee the installation process. The estimated lead time for Sieger® products is 6-8 weeks but your overall glazing lead time may be different depending on the other glazing products on your project and their lead times. Please also allow 20 working days if your project requires full glazing design drawings. This will be confirmed on order.

WHERE CAN I SEE SIEGER PRODUCTS?

The Sieger® Systems range is available to view at the Sky House Design Centre. Just contact your sales representative who will be happy to book you an appointment.

super lux bifold door

ultra tall bifold doors

EUROPEAN DESIGN

The Sieger® Architektursystem has been designed to the highest European standards to ensure a highly engineered finish with the best performance.

Each aluminium framing profile is selected and engineered to offer a minimal and modern finish, whilst maintaining robust performance and quality standards.

The technologically advanced thermal break system offers projects unparalleled levels of thermal insulation in keeping with modern European design.

BRITISH MANUFACTURING

Every Sieger® Architektursystem products is manufactured and fabricated bespoke to each project specification. Our state of the art fabrication site offers the latest technology in modern aluminium fabrication, ensuring Sieger® Systems can offer efficient lead times and exceptional quality.

MORE INFORMATION

For more information please contact the team who will be happy to help.

www.siegersystems.co.uk



reddot design award
winner 2019

Visit our YouTube channel for more

